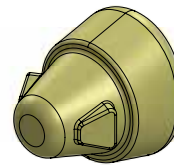
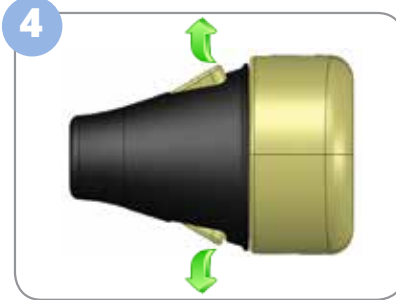
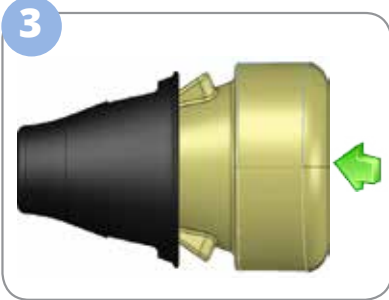
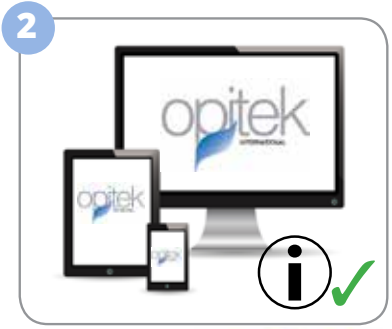
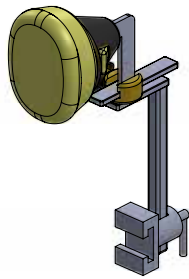
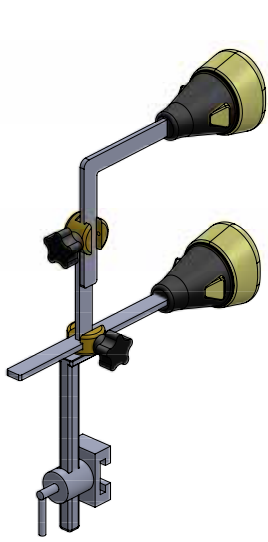


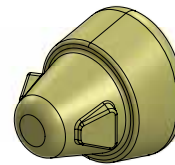
INSTRUCTIONS FOR USE

HIP FIX 2015

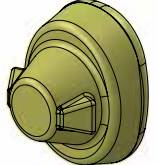
PRE - OP



Front Lower



Front Upper



Back

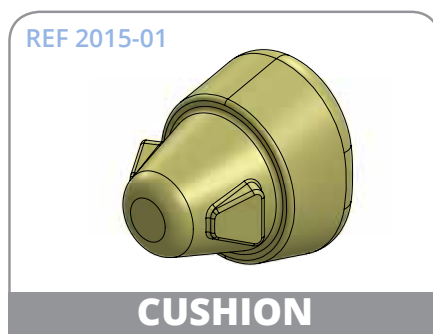
REF 2015-50 3 Support Cushions, Single Use Patient Pack

Holder & Cushion Assembly

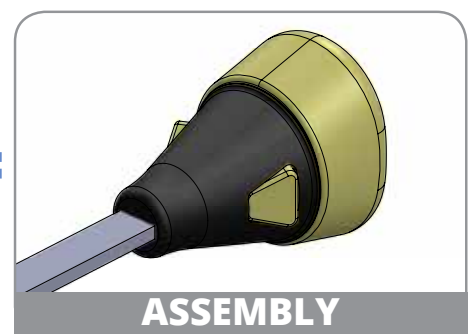
FRONT LOWER SUPPORT



+



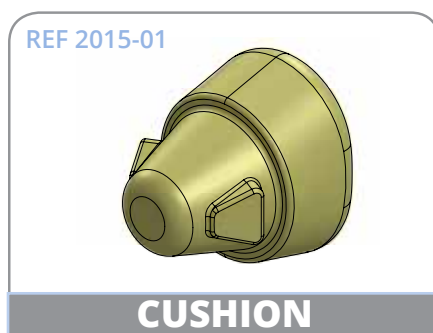
=



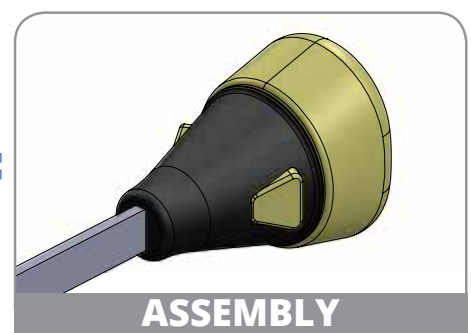
FRONT UPPER SUPPORT



+



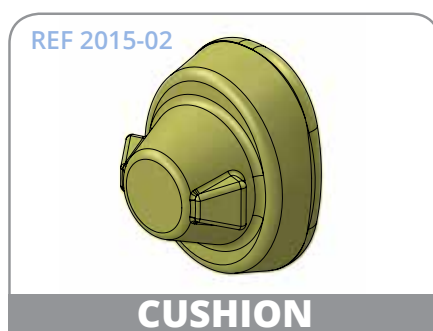
=



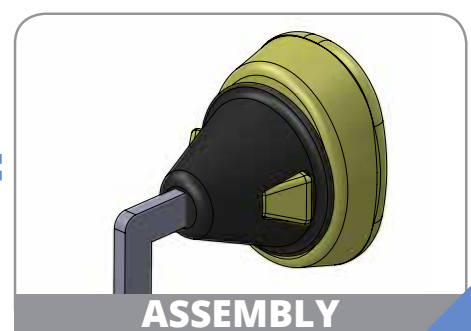
BACK SUPPORT



+

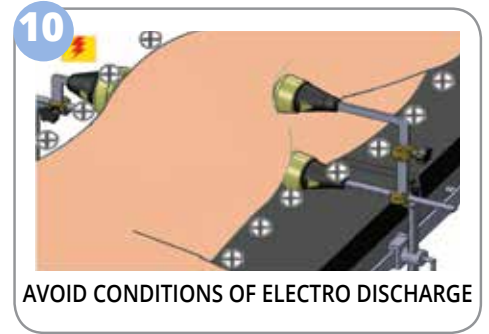
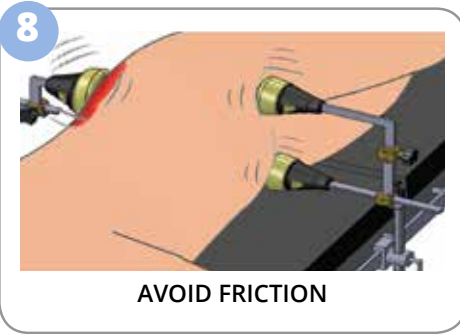


=

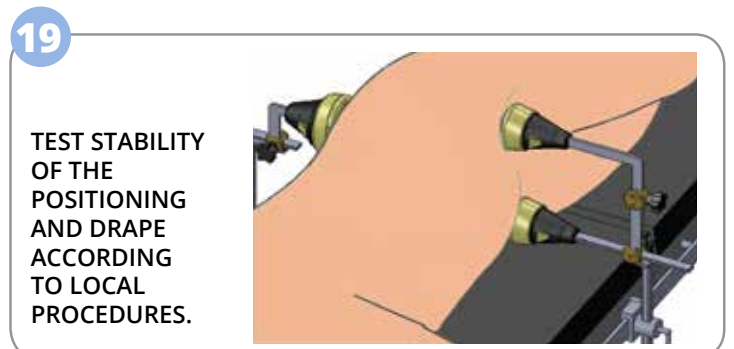
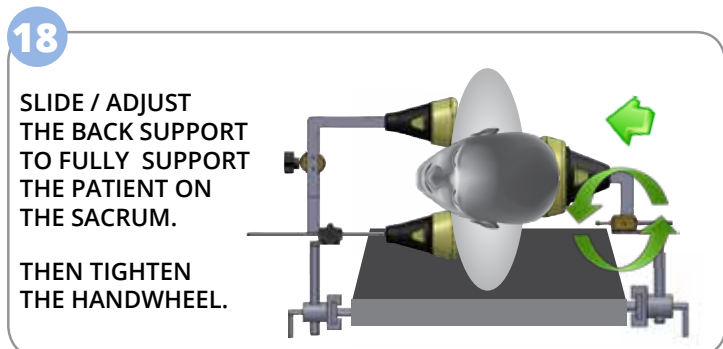
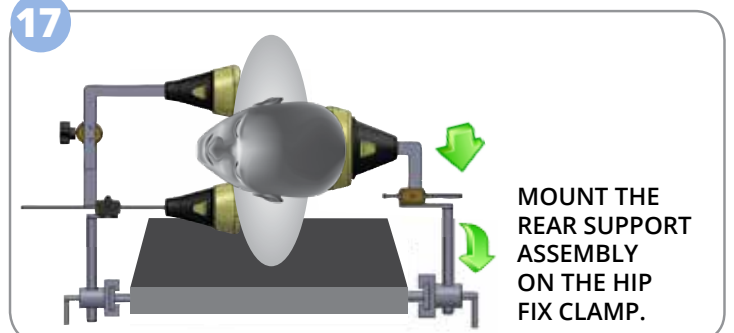
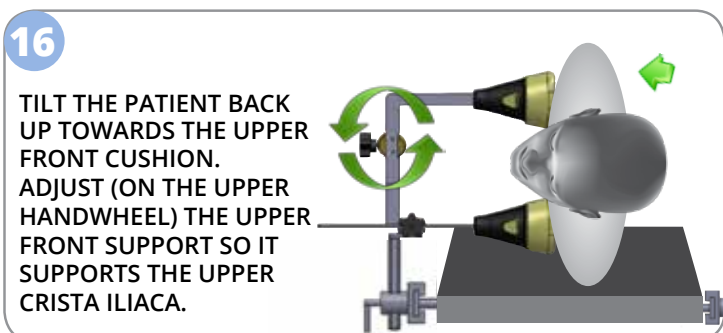
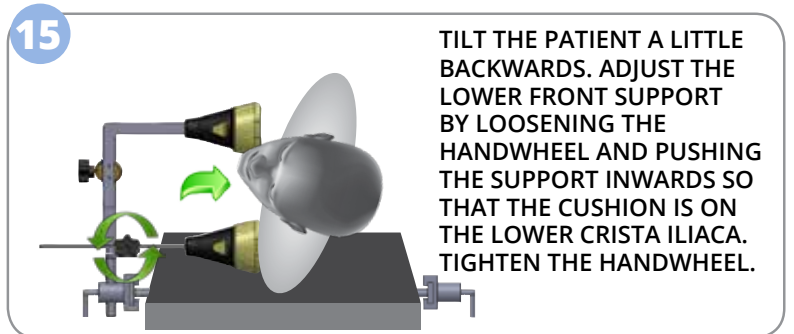
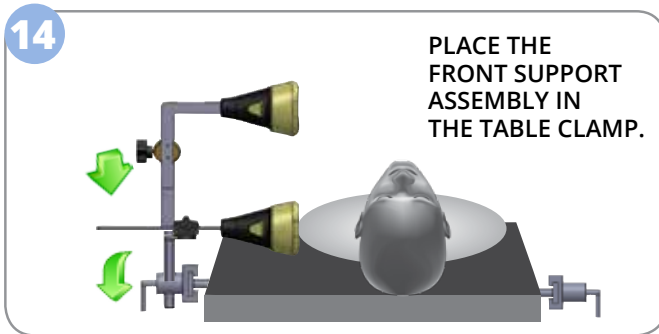
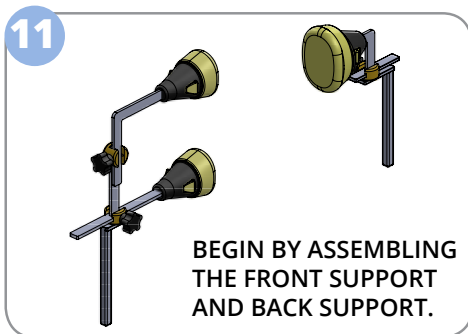




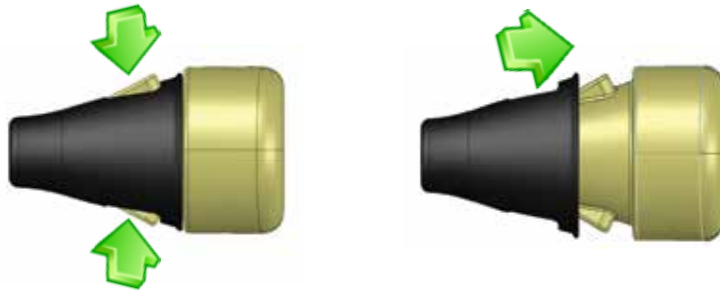
PRE-OPERATION



HIP FIX ASSEMBLY



20



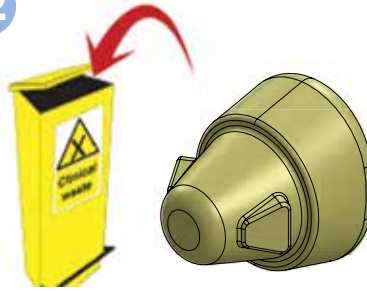
**CUSHION DISASSEMBLY
- FOR CLEANING AND
INSPECTION OF HOLDERS**

21

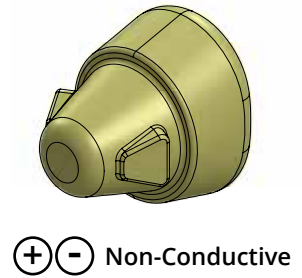


**HOSPITAL
EQUIPMENT
CLEANING/
DISINFECTION
PROCEDURE**

22

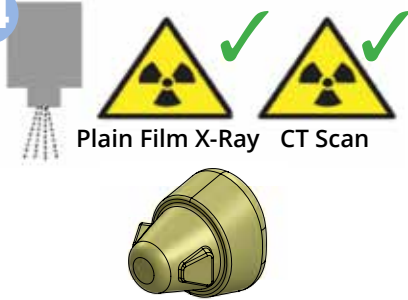


23



+ - Non-Conductive

24



Plain Film X-Ray CT Scan

25

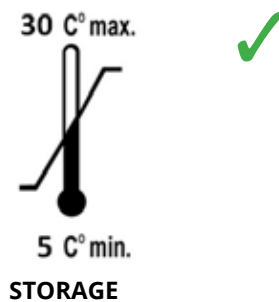


26



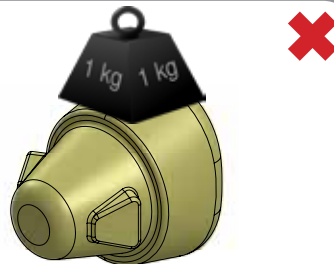
LATEX FREE

27



STORAGE

28



STORAGE

29



KEEP STOCK OF REF 2015-50

30



KEEP ON FILE

31



SINGLE USE ONLY



Opitek International
Naverland 1C
DK 2600 Glostrup
Denmark

Phone: +45 3966 1644
Fax: +45 3966 1655
Email: mail@opitek.dk
www.opitek-international.dk