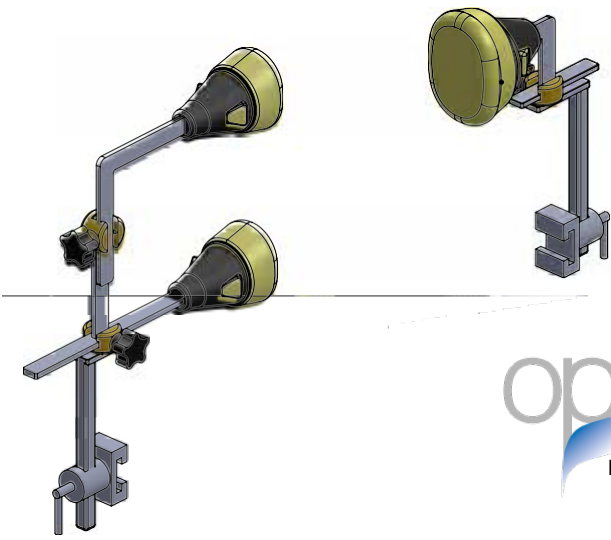


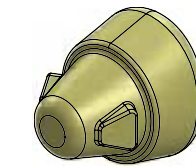
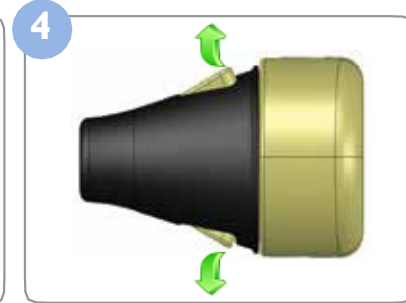
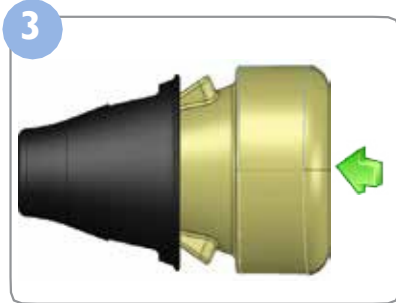
INSTRUCTIONS FOR USE

HIP FIX 2015

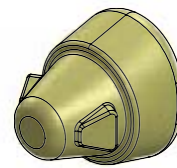
PRE - OP



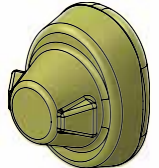
opitek
INTERNATIONAL



Front Lower



Front Upper



Back

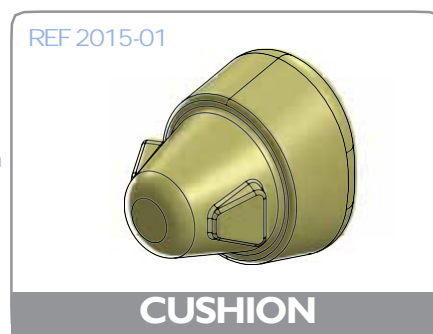
REF2015-50-1 = 3 Support Cushions, Single Use Patient Pack

Holder & Cushion Assembly

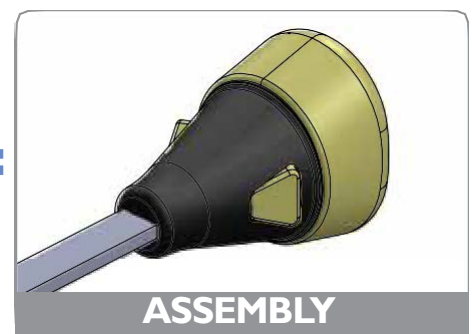
FRONT LOWER SUPPORT



+



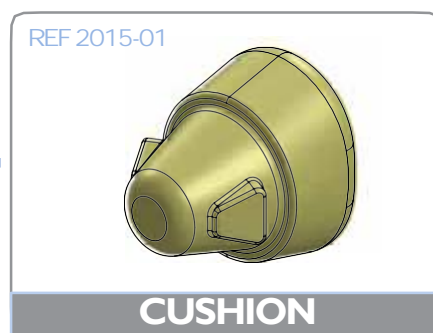
=



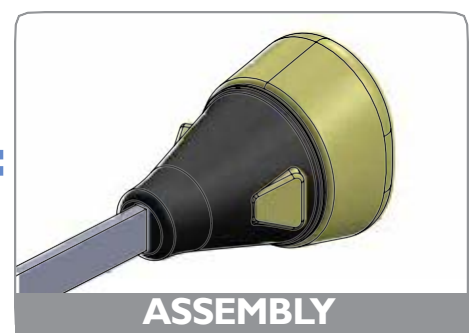
FRONT UPPER SUPPORT



+



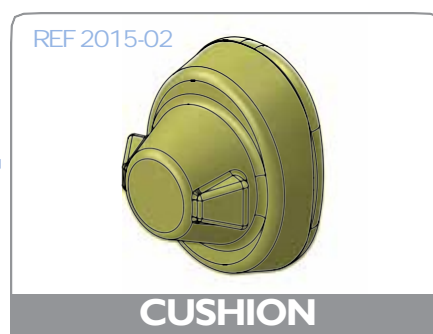
=



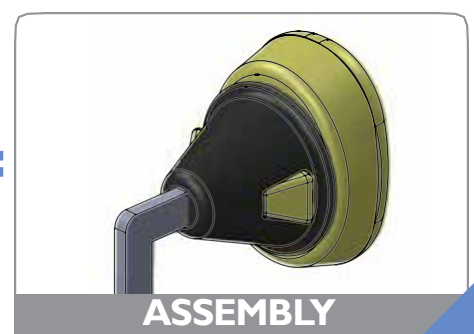
BACK SUPPORT



+

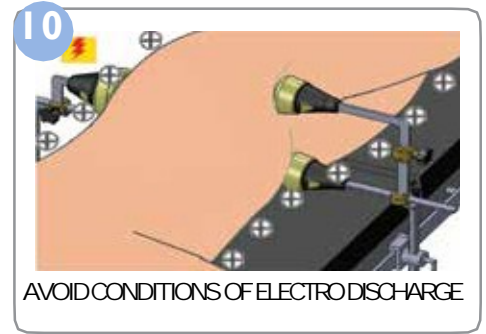
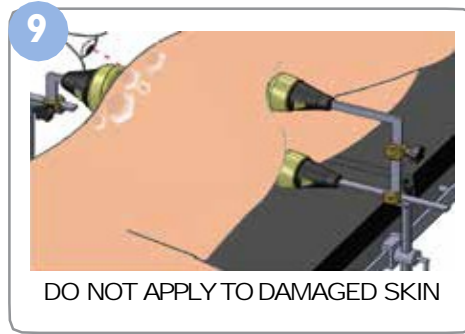
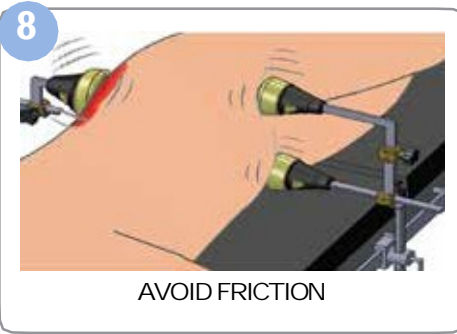


=

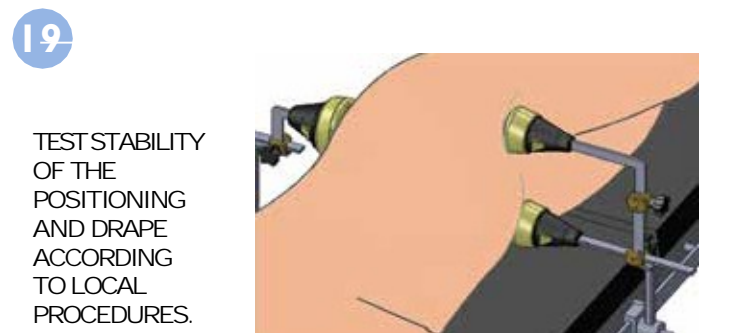
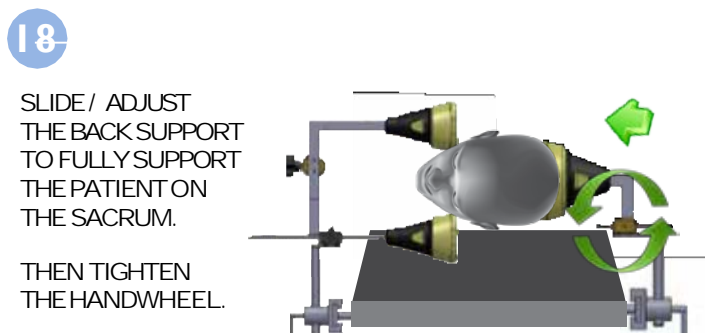
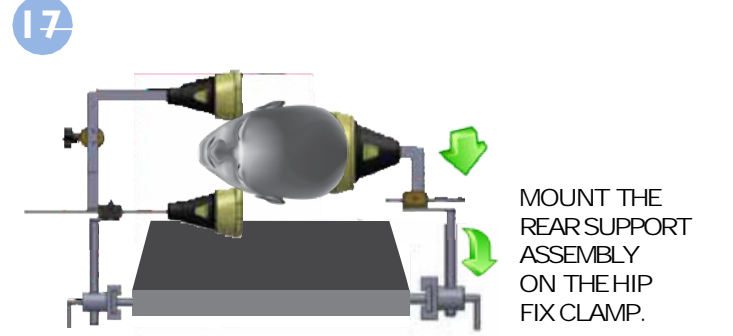
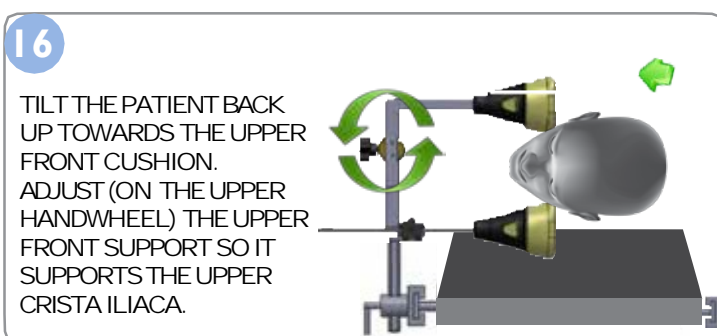
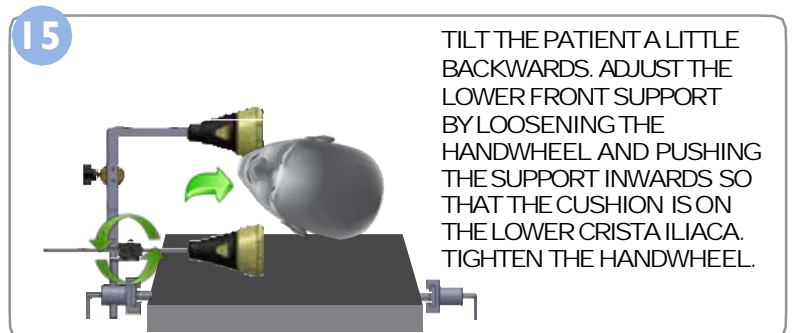
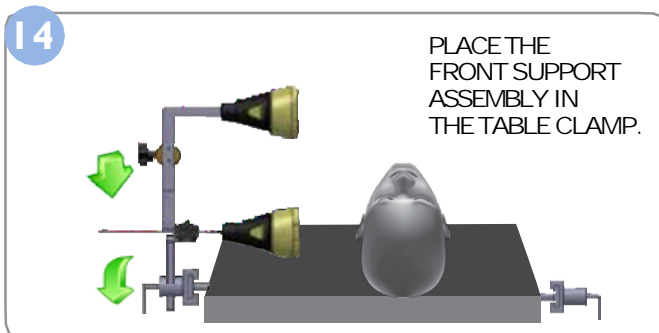
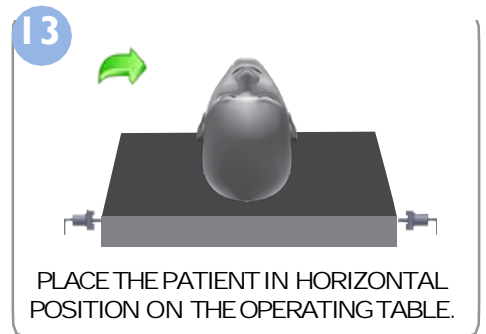
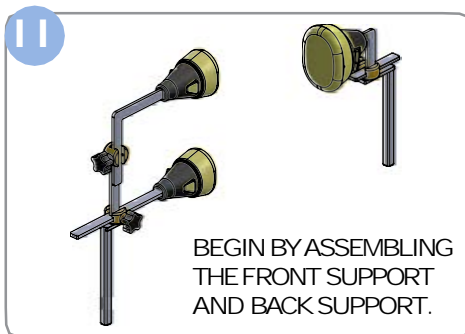




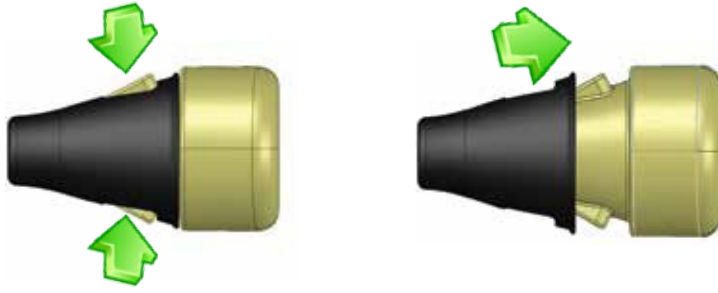
PRE-OPERATION



HIP FIX ASSEMBLY



20



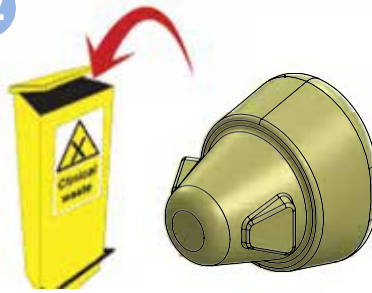
CUSHION DISASSEMBLY
- FOR CLEANING AND
INSPECTION OF HOLDERS

21

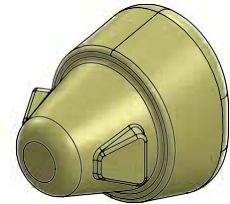


USE NORMAL
HOSPITAL
EQUIPMENT
CLEANING/
DISINFECTION
PROCEDURE

22



23

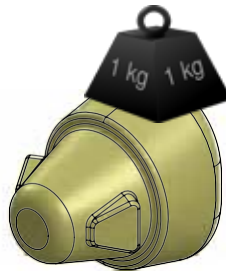


+ - Non-Conductive

24

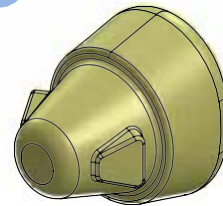


25



STORAGE

26



SINGLE USE ONLY

27



KEEP STOCK OF REF 2015-50-1

28



KEEP ON FILE



Opitek International
Naverland 1C
DK 2600 Glostrup
Denmark

Phone: +45 3966 1644
mail@opitek.dk
www.opitek-international.dk

